



Leisure Pools®

SWIMMING IN QUALITY AND STYLE®



SWIMMING IN QUALITY AND STYLE®

Leisure Pools is one of the world's largest manufacturers of fiberglass swimming pools with manufacturing plants serving the United States and Australian markets. Our new state-of-the-art Super Plant in San Antonio, Texas coupled with an expanding nationwide dealer network, means the unique quality and style of Leisure Pools is available to you.

Well in advance of other fiberglass pool manufacturers, Leisure Pools utilize the very latest internationally proven technologies to create pools that are superior in every way.

Our manufacturing processes use state-of-the-art equipment and technology, backed by in-house research and development, to constantly improve the standard of our production. Our specialized techniques and superior materials ensure that the quality of every Leisure Pool is the very best. Our versatility of colors and styles is unmatched by any other pools – either fiberglass or poured-concrete. With a Leisure Pool, you will be swimming in quality and style.

Whether your home is contemporary or traditional, whether your pool site is large or small, there is a Leisure Pool style and size to suit your needs perfectly. When it comes to color, forget boring old-fashioned white or pale blue. Leisure Pools feature an exclusively licensed 'proprietary gel coat' that produces a shimmering and unique sparkle finish. Inspired by the dazzling hues of Australia's coastal waters, these colors will make your Leisure Pool the envy of everyone.

Your Leisure Pool has been designed and manufactured to make it a lifestyle asset you will value and enjoy for years to come. To make sure of that, every Leisure Pool carries a lifetime structural warranty. Plus our unique color finishes are covered by an unequalled fifteen year warranty.



35-YEAR WARRANTY

Leisure Pools uses only the very best in materials and incorporates leading edge technologies in our manufacturing process. This enables us to stand behind our pools with a lifetime structural warranty as well as a 15-year warranty on our exclusive Aquaguard® color finishes.



Pool Styles



Our pool styles are classic and innovative in design.

With over 30 years experience in all facets of swimming pools, Kerry Pain, the company's founder, set about incorporating his years of experience into the very best residential swimming pool styles. Kerry is widely regarded as one of the best pool designers in the Australian pool market, a land that has the highest pool ownership per household in the world. Not surprisingly, this sun drenched country produces some of the finest swimming pool products in the world.

"It's not about offering 50 types of pools, it is about offering classic and innovative styles that work well in residential environments" says Kerry when talking about the Leisure Pools styles. "Once you have the style that fits the homeowner's preference, then we look to pool size, as people have different usage requirements for the pool, backyard sizes and budgets.

"After style and size have been determined then it's a question of choosing the most suitable color. Color theory is so vitally important in achieving a stunning look in your backyard" says Kerry.

Kerry should know, after all he has been designing, manufacturing, selling, and installing swimming pools for over 30 years. During this time Kerry not only founded Leisure Pools Australia, he has overseen its growth to be one of the largest fiberglass pool manufacturing companies in the world.

So, whether your home is contemporary or traditional, whether your pool site is large or small, there's a Leisure Pool style, size and color to suit your needs (and budget) perfectly. With a Leisure Pool you'll be Swimming in Quality and Style®.



Elegance Style®

The Elegance Style is the most modern stylish swimming pool on the market today. With an innovative design, it is ideally suited to today's modern architectural building trends.

The square corners and crisp clean lines match perfectly with the latest paving and coping products to make landscaping the Elegance a pleasure.

Too many pools have the dimensions but just don't have the space. The Elegance is designed to give you plenty of room for end to end swimming or playing games. The swimming corridor is completely unobstructed and even the copings are only four inches wide in order to maximize the space inside the pool.

The steps are conveniently placed on the side of the pool and combine with the spa seat area. You can have spa jets and aeration fitted for an enjoyable and relaxing spa. It's a great place to sit and relax while the kids are playing in the pool.

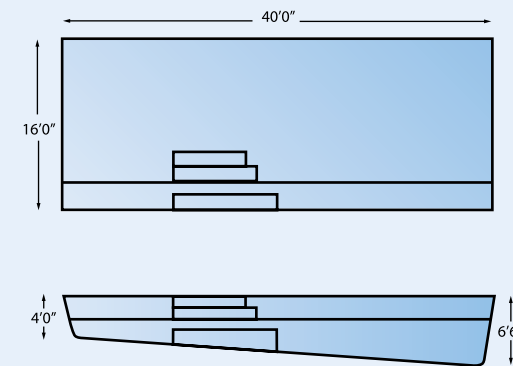
The Elegance has Leisure Pools convenience ledge into the wall of the pool 2 feet down from the top. Small children can easily stand on the step ledge to get out of the pool.

Available in four sizes, the Elegance Style sets new standards in modern residential pools.

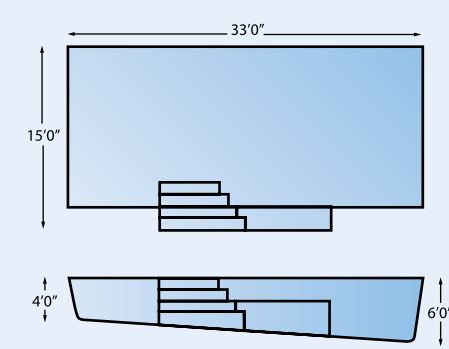


	LENGTH	WIDTH	DEEP END	SHALLOW END	GALLONS
Grand Elegance 40	40'	16'	6'6"	4'0"	21,000
Elegance 33	33'	15'	6'0"	4'0"	17,400
Elegance 30	30'	15'	5'10"	4'2"	15,200
Elegance 27	27'	14'6"	5'9"	4'4"	11,700

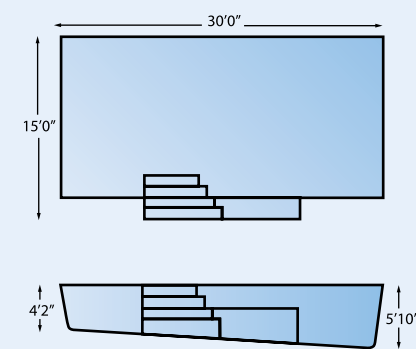
Grand Elegance 40



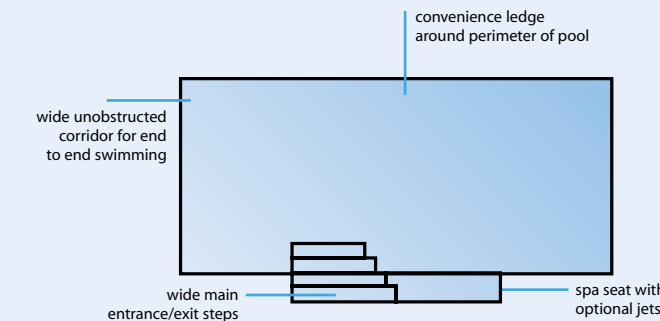
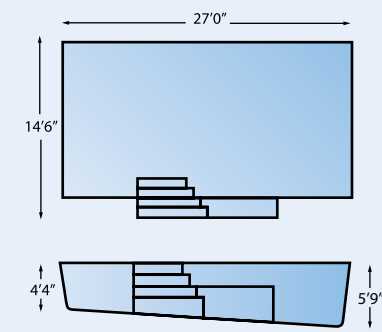
Elegance 33



Elegance 30



Elegance 27



Moroccan Style®

The Leisure Pools Moroccan Style incorporates the best features of previous Leisure Pools with exciting new ideas.

Instead of just one entry point, the Moroccan Style features three points of entry – one at the shallow end, one on the opposite side at the deep end and a third at the center of the pool. This means that however you place your pool in relation to your house or pool side area, you will be assured of an entry/exit point adjacent to it.

The Moroccan Style has excellent seating areas with a swim out and step at the deep end.

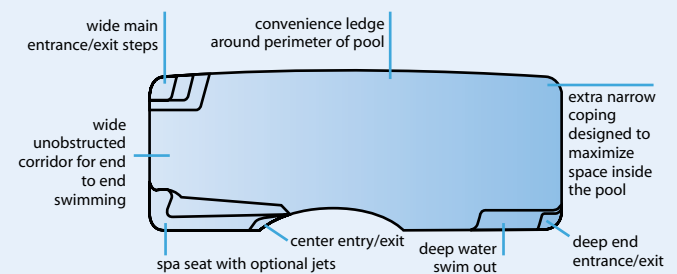
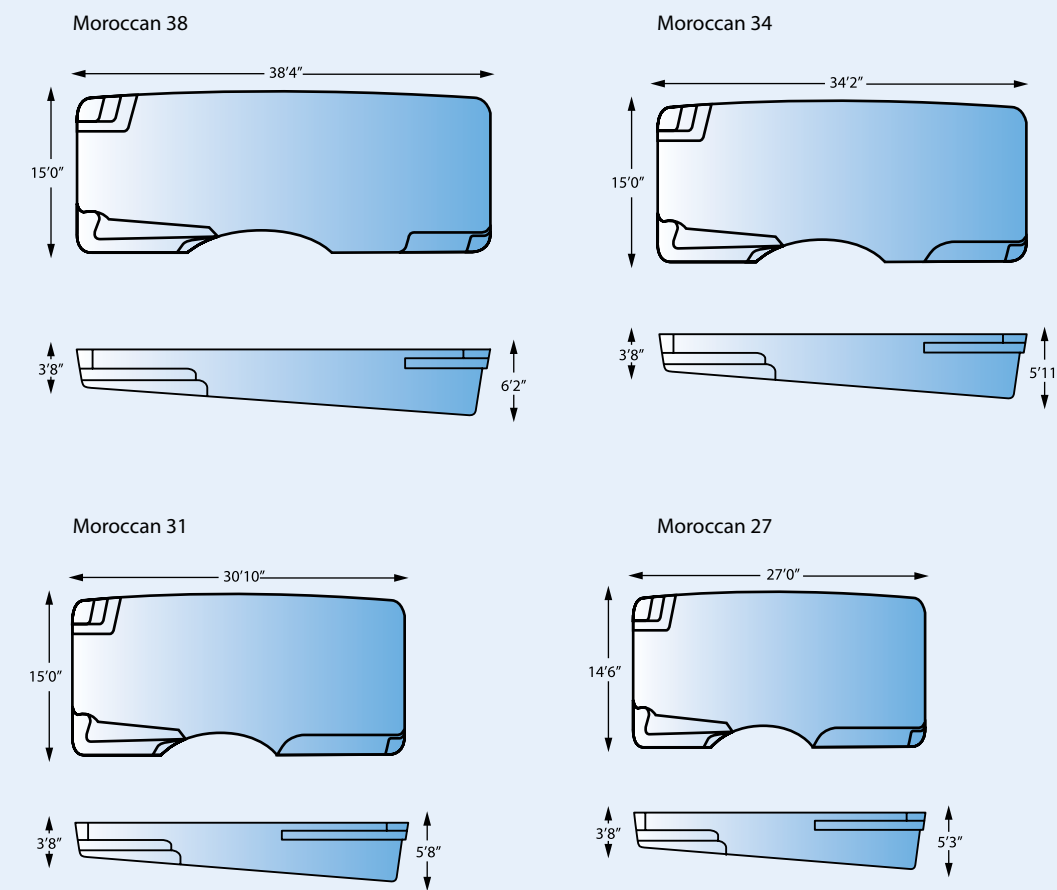
It also has generous seating areas at the shallow end, where optional spa jets can be installed.

The clever design of the Moroccan Style also provides a wide, unobstructed corridor through the center of the pool for unrestricted end to end swimming.

The Moroccan Style also features a cleverly engineered ultra narrow coping that results in a more spacious pool for its outside dimensions. The Moroccan comes in four sizes to accommodate all backyards and budgets.



	LENGTH	WIDTH	DEEP END	SHALLOW END	GALLONS
Moroccan 38	38'4"	15'	6'2"	3'8"	19,800
Moroccan 34	34'2"	15'	5'11"	3'8"	17,100
Moroccan 31	30'10"	15'	5'8"	3'8"	15,000
Moroccan 27	27'	14'	5'3"	3'8"	11,600



Roman Style®

The Leisure Pools Roman Style has a timeless elegance that will add grace to any setting. As simple, classical and pleasing to the eye today as it was in Ancient Rome, this pool's clever use of a rectangle and two semi-circles also provides unlimited possibilities for exciting landscaping concepts.

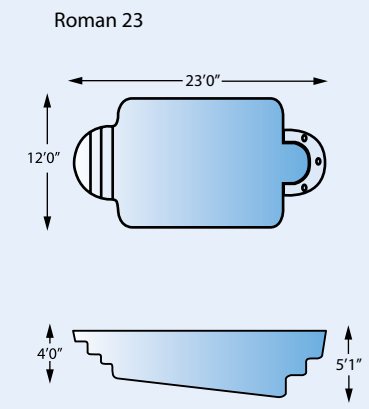
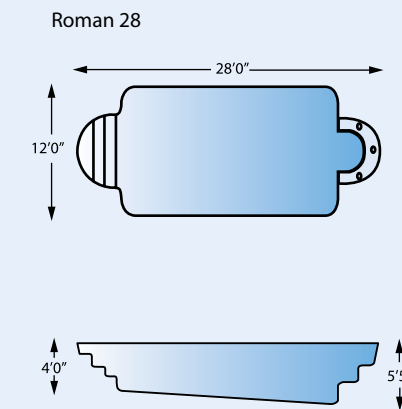
The Leisure Pools Roman Style features broad entry steps at the shallow end with an optional spa seat and table at the deep end. Space inside the pool is maximized by the use of our unique narrow coping design. The Roman Style is available in three standard sizes to fit in any space and lifestyle.

If you were to choose one design that would always be in vogue it would be the Roman. The design has a timeless appeal that is simple, practical and elegant. The Roman style seemingly suits every situation.

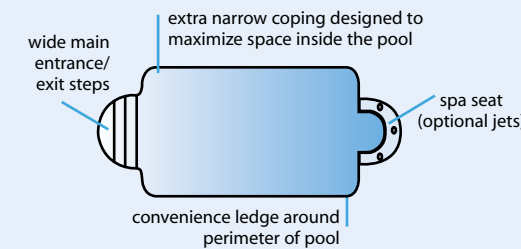
You can place the Roman with the steps closest to your home or have the spa seat closer. Whichever way the pool faces it looks the same. If you add the optional spa jets and a table then you have a truly versatile and enjoyable pool.



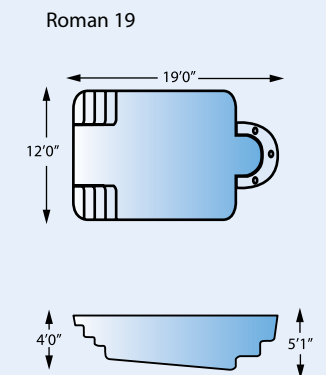
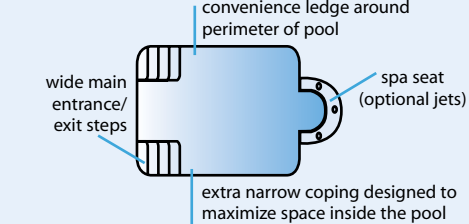
	LENGTH	WIDTH	DEEP END	SHALLOW END	GALLONS
Roman 28	28'	12'	5'5"	4'	12,000
Roman 23	23'	12'	5'1"	4'	8,400
Roman 19	19'	12'	5'1"	4'	6,800



Roman 23 & Roman 28



Roman 19



Tuscany Style®

The Leisure Pools Tuscany Style is the ultimate in free-form design and perfect for pool sites where a more conventional shape might not work.

With a classic kidney shape, the Tuscany Style will usually fit into difficult areas and particularly lends itself to informal landscaping with rock gardens, tropical plants and waterfalls.

The Tuscany 29 is ideal for most backyard settings. It features generous sized entry steps into the shallow end and a swim out at the deep end. Optional spa jets can be fitted to the swim out to create a refreshing spa nook. As with the entire Leisure Pools range, narrow copings maximizes the space inside the pool.

To suit your lifestyle, the Tuscany 23 is a very versatile alternative, particularly where space is limited.



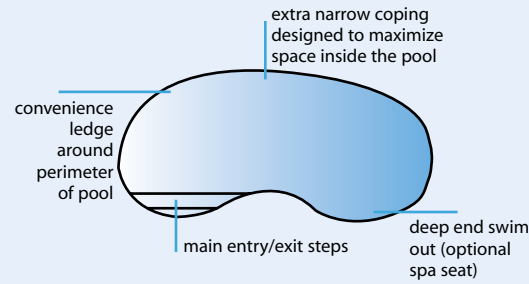
Riviera Style®

Leisure Pools proudly introduces the stunning Riviera Style pool. Available in 40 foot, 34 foot and 30 foot sizes the Riviera is not only classic and functional in design but achieves a totally new look that will inspire your creative backyard dreams.

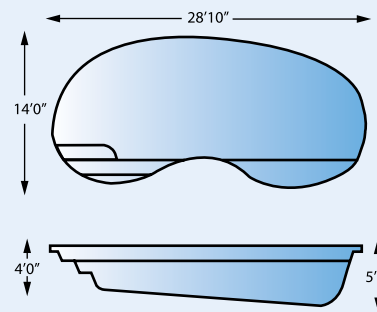
The stunning family play bench wraps around the shallow end providing ample adult seating and doubles as a kids play area. No other pool incorporates this leading innovation that sets the Riviera apart.

The Riviera's freeform design flows with gentle curves making the pool a delight to landscape around and transforming your backyard to a free flowing wonderland.

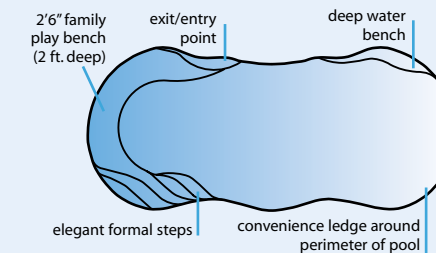
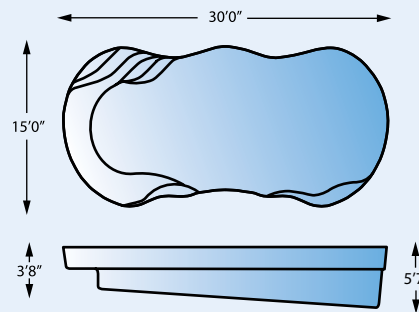
	LENGTH	WIDTH	DEEP END	SHALLOW END	GALLONS
Tuscany 29	28'10"	14'	5'7"	4'	12,400
Tuscany 23	23'	11'6"	5'3"	3'9"	7,800



Tuscany 29

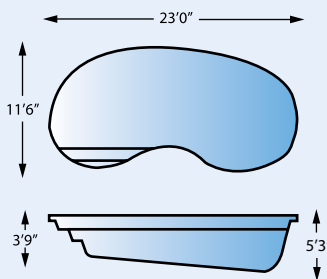


Riviera 30

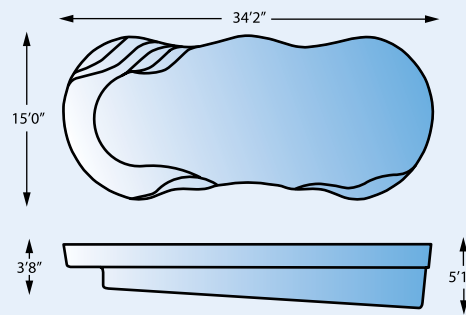


	LENGTH	WIDTH	DEEP END	SHALLOW END	GALLONS
Grand Riviera 40	40'	16'	8'	4'	21,000
Riviera 34	34'2"	15'	5'11"	3'8"	16,100
Riviera 30	30'	15'	5'7"	3'8"	14,300

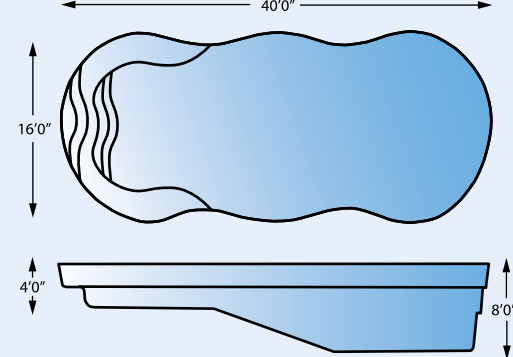
Tuscany 23



Riviera 34



Grand Riviera 40



Sorrento Style®

For centuries, people have recognized the rejuvenating, healing powers of warm water. Today, Leisure Pools takes an innovative approach to the art of warm water healing, or hydrotherapy.

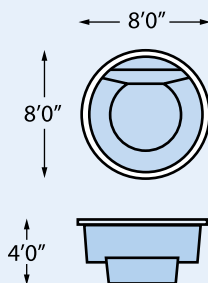
Spend just a few moments in Leisure Pools' Sorrento Spa and you're likely to experience less stress, improved circulation, better sleep and fewer symptoms of arthritis and back pain.

The Leisure Pools Sorrento Classic Spa has strategically placed jets and ergonomically correct seating to create an ideal place for practicing a variety of calming, comforting and healing routines.

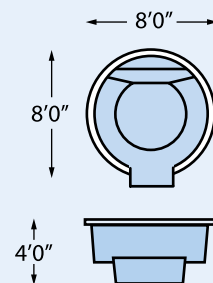
The Sorrento Spa is available in all the colors that are available for the pools enabling you to color match your pool and spa combination.

	LENGTH	WIDTH	DEEP END	SHALLOW END
Sorrento Classic	7'4"	7'4"	3'2"	3'2"
Sorrento 8' Round Spa	8'0"	8'0"	3'0"	3'0"
Sorrento 8' Round Spillover	8'0"	8'0"	3'0"	3'0"

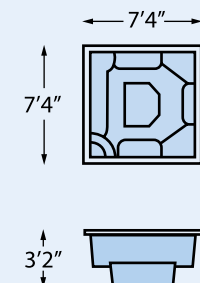
Sorrento Round



Sorrento Round with Spillover



Sorrento Classic



Over 60% of our sales are to homeowners who are installing a new pool for the second or third time. They have owned gunite and vinyl pools before and know all too well of the problems. 'We just want a fiberglass pool, it makes so much sense' is a common statement we hear all the time. So why is a fiberglass pool the smart option?

Speed of Installation

Your fiberglass swimming pool comes direct from the Leisure Pools manufacturing facility, pre-made and ready to install. In fact, you can be swimming in as little as four days. Compare that to a concrete pool that can take months to complete and during that time your backyard looks a mess.

Smooth Finish

Leisure Pools fiberglass swimming pools have a smooth clean gel coat finish that is non-abrasive. There are no sharp edges or rough finishes. Compare that to some pebble pools that are so abrasive they can harm your skin.

Surprising Strength

Leisure Pools fiberglass pools exceed the standards for shell thickness. The high tensile strength of fiberglass will allow the pool shell to flex without cracking to accommodate earth movement. No wonder airplane manufacturers are using fiberglass to build planes!

Maintenance Free

The gel coat finish on a Leisure Pool not only looks great, it's so easy to look after. The surface is smooth and non-porous so it cleans easily and is very stain resistant.

Low Chemical Usage

No one likes swimming in a chemical cocktail but some pools require constant monitoring and expensive chemicals. Not so with Leisure Pools fiberglass. The surface is chemically "inert" so there is absolutely nothing in the pool surface that can alter the water chemistry. Hence, very low

chemical usage and considerable cost savings on running your pool.

Great Designs

Leisure Pools prides itself on being at the cutting edge of pool design technology. All of our swimming pool shapes are new designs and reflect today's thinking and architectural trends. There will be a Leisure Pools design to ideally suit your home.

Color Range

The color of the water is so important and only Leisure Pools offers the exclusive Aquaguard® color finishes.

The Right Choice

Sometimes what we see in our minds doesn't always translate to the pool builder. With Leisure Pools, what you see is what you get. The swimming pool styles and sizes come off molds and cannot vary in any way.

Compatibility

Salt chlorinators, chlorine, fresh water systems, ozone systems all work wonderfully well with Leisure Pools fiberglass swimming pools. Whatever your choice may be, it will be compatible.

Warranty

If you are getting other quotes, ask if a lifetime warranty is being provided on the structure of the



Why Fiberglass?

swimming pool. At best with a concrete swimming pool you will get a 10 year warranty – do you hope to have your pool last longer than 10 years?

Consider also that only Leisure Pools offers a 10 year warranty and our exclusive Aquaguard® gel coat finishes. Most other fiberglass manufacturers can only offer a 1 year warranty or no warranty at all.

Dispelling the Myth

The most common myth surrounding fiberglass pools and propagated by competitors in Gunite pools or Vinyl Liner pools is that "Fiberglass pools pop or float out of the ground." When you are told this you should immediately ask just how a pool with 80 tons of water in it pops out of the ground.

The reality is that no more will a gunite or vinyl liner pools pop or float than will fiberglass pools. In fact any watertight object will float if there is more water under it than in it. Pools can only float when they are drained and the water under the pool exerts upward pressure because there is no water in the pool.

So why would you need to drain a pool? Gunite pools need frequent draining to remove cracks, acid wash, clean stains and re-plaster the pool. Similarly, vinyl liner pools must be drained to replace liners or repair liners. Fiberglass pools carry a lifetime warranty and never need resurfacing so there is no need to drain the pool. So the end result is that many more gunite and vinyl pools float than do fiberglass; don't be fooled.

Anyone concerned with water under the pool should consult their pool dealer and have a simple drain installed so that water under the pool can be monitored and drained if necessary. There is a wide selection of solutions so there should never be any damage to any pool as a result of high water levels under the pool.

Why Leisure Pools?

Most fiberglass pool manufacturers claim to produce quality pools, but let's examine what it means to be of the highest quality. With Leisure Pools you get experienced dedicated professionals that have your best possible enjoyment in mind.

A successful and rich history from the highly competitive Australian pool market has been poured into all our pool styles. Bottom line, the pool style you choose will be high quality and tested from use with thousands of satisfied pool owners. Pools manufactured by Leisure Pools contain the highest quality materials available in the fiberglass and coatings industries. And the process of application of the different material layers, including a steel sub-structure, ensures a rock solid base that has concrete properties, but remains flexible. This helps avoid many of the common problems that concrete pool owners experience with cracks and leaks.

In addition to a solid base, the patented Aquaguard® Gelcoat gives you a smooth surface and brilliant colors. Your pool will literally



"WOW" anyone who sees it and you'll avoid many problems with algae, a common problem with porous concrete pools and seams in vinyl liners.

Quality control is ensured at every step with computer controlled application, repeated ultrasonic measurements, and a supervised manufacturing environment. Over 30 years experience in pool moving will guarantee that your pool arrives perfectly.

Installation of your pool is conducted by trained pool installers that will make adjustments according to your location and soil type. Making sure along the way that your pool is level and at the right height when installed.

Add the coping and the landscaping and you'll be swimming in no time. You won't have to wait months with a Leisure Pool installation, typical installation is a few weeks, unlike a gunite (concrete) installation.

Finally, to keep your mind at ease there is a 35-year Structural Warranty and the best surface warranty in the swimming pool industry, 15 years protection. Leisure Pools will make your pool buying experience remarkably easy.



Customer Experiences

"I bought a Tuscany 29 from you in 2005 for my home that I built in New Braunfels, Texas which you installed and I have now sold my home there in Texas and I now live in New York...I absolutely loved my pool back in New Braunfels, and you have an incredible product but most importantly your installation was perfect and so professional. I never had a bit of problem with my pool, so now I would like to purchase another one for my home I will be building here in New York..."

Patti Hudnall-Shook, NY

"After much research and consideration, I decided to purchase a Leisure Pool in late 2006. Now that the pool is complete, I am so glad I did! I found the whole experience a pleasure. From our first visit to our final closing, everyone involved with Leisure Pools was professional, direct, honest, personable, and efficient. Communication was fantastic, and I always knew every detail of current and future steps in the process. The construction was fast and amazingly non-intrusive, and everyone who worked on it was pleasant and diligent. I love the pool. It is perfect and beautiful. The craftsmanship in the pool itself, electrical, plumbing, and decking is awesome. My neighbors, who have poured in-ground pools, are jealous and kicking themselves! Thank you for the quality of your pools and the integrity of your staff. I recommend Leisure Pools to my friends, family, and co-workers who are considering purchasing a pool, as I know that they will be as happy with that decision as I am. If a company is only as good as the people who work there, then Leisure Pools truly is a great company! Have a great day!"

Kirk E. Dunaway, San Antonio TX



Positive Experiences, Lasting Memories Quality service with quality pools equals quality relationships.

"The pool looks awesome! I would like to thank Leisure pools USA . You can always tell the quality of a company not so much when things go well, but during times of adversity. Please feel free to use me as a reference. I willingly support your company and product and will help you in any way that I am able. Thanks again mate!
Steve Young, San Antonio, TX

"My wife and I researched pool companies for more than a year before going with Leisure Pools. During our research we could find no one who could match the beautiful colors, design and quality that Leisure Pools provide. Once we decided on our pool design, color, and landscaping three months later we were enjoying our new pool. I have found that my family now spends more time together, of course in the pool, since purchasing our Leisure Pool. Purchasing a Leisure pool was the best investment I ever made."

Gregory A. Reid, San Antonio, TX

"I've been intending to write this for some months now. I love my swimming pool, as do my grandchildren, and I love your service. You and your colleagues at Leisure Pools have always responded quickly and effectively to my many calls and questions. Your service has been outstanding. I have been employed in the service industry for many years and I know that you hear from customers when they have problems and very rarely when they don't. In this case, I have no problems and my pool is operating very well. Finally, I think that you have a first class product and provide a 'no nonsense' warranty service to back it up. I wish Leisure Pools every success."

Matt Bates, San Antonio, TX

Choosing your Leisure Pool is as easy as having it installed.

When it comes to choosing your Leisure Pool our trained dealers come to your home. After all, that is where your pool's going to go and it's also where you will feel at ease.

You will be shown perfect small scale models of pool styles to help you visualize which one will best suit your needs and your location. Your dealer will also show you accurate samples of colors and textures, to ensure that you make the most informed decision possible. At the same time your dealer will personally assess and advise you on the best options for positioning and installing your pool into your site. Even if you think your site is inaccessible, relax, our vast expertise can probably find a solution.

Once you have placed your order, your dealer will assist you with permits, then expertly coordinate every last detail of the delivery and installation of your new pool.

You can be swimming in your new Leisure Pool just a few days after we start its installation and that means there is minimal disruption to your everyday lifestyle.

Your professional installer will carefully excavate the hole, then lay and screed material for a perfect base. With your pool lowered into place, the installer will backfill the area between the pool shell and the excavation edge and compact it to ensure optimum stability. Next the installer will connect piping for your pump, filter and other accessories. The installation process is then completed by laying your choice of coping stones and concrete finishes around the pool perimeter. Your dealer can also arrange the installation of pool safety fencing and pool covers if required.

After your dealer demonstrates how easy it is to manage and maintain your new Leisure Pool, you can simply enjoy it, swimming in quality and style.



Color Theory

Understanding Color Theory

Color theory is gaining increased acceptance in the United States in pool design and presentation. Put simply, it means that the color of the water in a residential pool is the most immediate reaction one has when viewing a pool. How this water color combines with the pool's surrounding deck, landscaping and overall design within the backyard setting is the central element of color theory.

The most immediate impact any pool has is the color of the water. Either it has a "wow" factor or not. So forget boring old-fashioned white or pale blue bath tub looking pools. Let us show you just how good your new pool can look.

It is Not a Question of Cost

Many expensive pools have been built that are just plain ordinary and obviously do not have the "wow" factor. A pool that is not expensive can have a great deal of "wow" factor by paying

attention to color theory that makes for a stunning pool that not only provides years of pool enjoyment, but justifies the investment made in the pool. Put another way, you get a lot more bang for your buck.

If the water color is stunning, there is a good chance the pool overall will be stunning. Many people mistakenly focus on shape, pumps, water features, tiles, etc. While these are important, they fade into insignificance with the overall impact of water color and color theory of the residential pool.

Use Your Pool Year Round

It is wrong to think of your pool as being only used when you swim in it. You will enjoy your beautiful and stunning pool 12 months of the year because it will be the centerpiece of the backyard; able to give you viewing pleasure all year long.

Just imagine a bright fall or spring evening, or even a clear winter's day as you relax on the back deck. The beautiful sparkle from your pool water is very soothing and provides endless enjoyment. This is using your pool just as much as swimming in it.

Now consider the contrast between beautiful blue sparkling water and the anemic pale frigid water color that a white pool produces: Blue water has always been the most naturally attractive.

With this in mind, Leisure Pools color strategy leads to the fact that no white pools have been produced over the last 10 years, which supports Leisure Pools color strategy. We consider white pools to be:

- Cold (up to 5 degrees colder than a color pool which retains much more heat)
- Susceptible to yellowing and staining
- Always dirty looking
- Uninviting as they look frigid and pale

About our Aquaguard® Gelcoat

The finish on a Leisure Pool not only looks stunning, it is the result of years of research and development aimed at leading the fiberglass pool industry.

Aquaguard® Gelcoat finishes have been developed and tested by Fiberglass International (FGI) through the 1980's and 1990's in Australia. Over the years of development, the product called for exceptional chemical resistance, mechanical strength and weathering properties, especially the latter for use in exterior applications in Australia where the UV intensity is extremely high.

Fiberglass International's Aquaguard® technology is simply unique and has been subject to extensive testing programs (both accelerated and real-time) concentrating on a combination of weathering and chemical resistance. The Aquaguard® Gelcoats:

- Exhibit outstanding UV and fade resistance
- Provide unique shimmer and sparkle finish
- Are formulated as a one coat sprayable system with excellent application characteristics. (Not only are they easy to apply in the factory, they are easy to repair if damaged.)
- Are specifically designed for swimming pool applications

As these decorative gelcoats exhibit outstanding weathering and chemical resistance properties, they can be used in any "performance" area where UV, water and fade resistance are a consideration.

It is an outstanding pool finish that has endured constant testing and refinement and now boasts a full 15-year warranty against:

- Osmotic blistering • Discoloration • Fading* • Surface yellowing

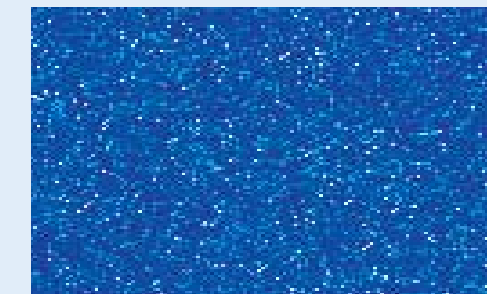
Note that the product has been laboratory tested out to 30 years with no noticeable deterioration.

*The Aquaguard® finish includes combinations of UV protection and color pigment and this pigment like any material may be subject to minor levels of dulling over a 30-year period if exposed to direct sunlight. However, due to the highly advanced formulation and chemical blending, any dulling will be uniform in nature and can be easily refinished by applying a gelcoat polish to revitalize the pool surface.

There is a Leisure Pool color perfect for you!

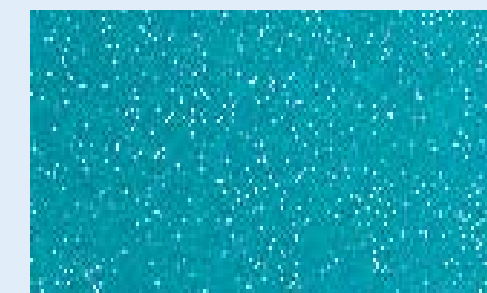
Australian Blue

Australian Blue dances in the sunlight and engulfs the pool in a beautiful sparkle making the water so inviting that you just want to dive in. It is a deep inviting blue that has proven "wow" factor. Depending on the sun position and light during the day and night, it changes the look and color of the pool so it is always interesting and inviting. It's no wonder that Australian Blue is the top selling color.



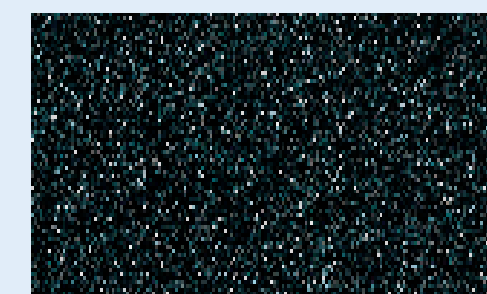
Great Barrier Reef Blue

Swim in the endless blue turquoise of Australia's Great Barrier Reef. Leisure Pools' Great Barrier Reef Blue is a stunning sparkling finish that reflects the warm and inviting coral reef waters that guard Australia's northeastern coastline.



Outback Blue

Our newest color and one that certainly has the "wow" factor. With twice the sparkle and shimmer, Outback Blue mirrors the deep Australian night sky with countless sparkling stars.



Queensland Blue

Imagine combining the colors of a land that boasts world-class beaches, sun baked islands, and endless blue oceans. Queensland is a wonderland of color and our new Leisure Pools Queensland Blue is a reflection of all that is bountiful in this dazzling land and places it right in your own backyard.





Leisure Pools®

SWIMMING IN QUALITY AND STYLE

3567 IH-35 (exit 183), New Braunfels, TX 78132

Phone (830) 387 4020 Fax (830) 387 4028

E-mail inquiries@leisurepoolsusa.com

www.leisurepoolsusa.com

Your local Leisure Pools dealer is: